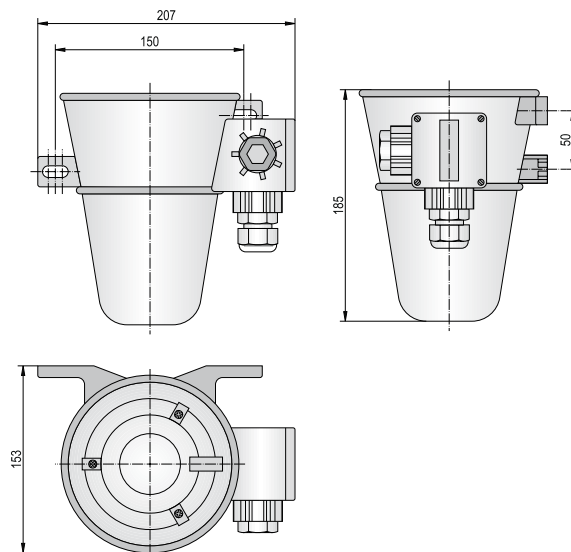
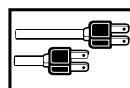


Loudspeaker Set LS2



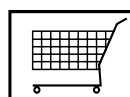
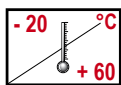
Features

- loudspeaker enables loud rendition of ringer sound and of receiving signal in operating modes „open listening“ and „handsfree“
- volume adjustable with +/- keys on the SafeTel
- set contents:
 - dynamic loudspeaker in plastic housing with cable gland M20x1,5 (IP 66)
 - cable gland is located in connection chamber for connection of loudspeaker cable to SafeTel



Technical data

Type	LS2
Housing, Colour	polyamid 12, black RAL 9005
Mounting	wall or ceiling
Weight	1,1 kg
Rated impedance	45 Ω
Rated power	300 mW
Max. volume	93 dB ringer 81 dB open listening/handsfree
Terminal	up to 2,5 mm ²
Cable entry	1 x M20x1,5
Insulation class	II



Order data

Type	Order No.	Denomination
LS2	410 200 003	Loudspeaker set