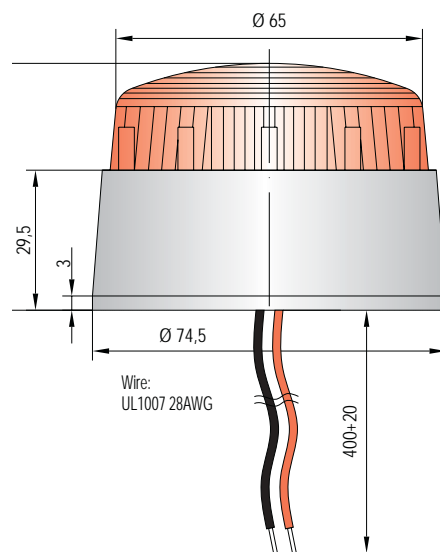
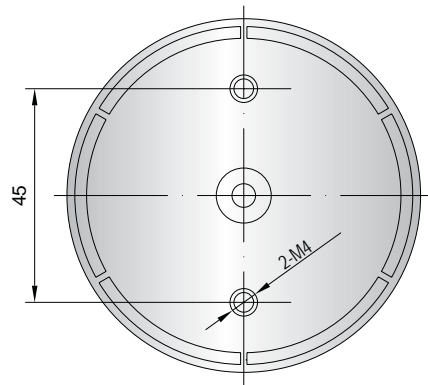


Strobe Beacon XB2

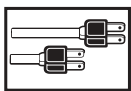
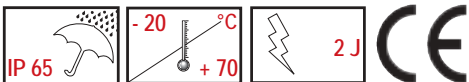


with optional mounting adapter



Features

- cost effective small strobe beacon
- lens diameter 65 mm
- simple mounting
- optional mounting adapter included
- reduced nominal current
- pre-wired ready to use (400 mm cable)



Technical data

	XB2
Housing colour	black
Lens colour	amber, red, clear, blue, green
Duty cycle factor	100 %
Temperature range	-20 °C to +70 °C
Light source	xenon tube
Flashing frequency	~ 1 Hz



Order data

Type	Nominal voltage (V)	Order No.	Nominal current (mA)	Weight (g)
XB2	12 V DC	D118 52C 004	200	110
	24 V DC	D118 52C 005	100	
	24 V AC	D118 52C 305	120	120
	230 V AC	D118 52C 313	25	

Colour code for lens

				C
1	amber	5	blue	
2	red	6	green	
4	clear			