

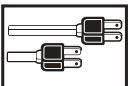
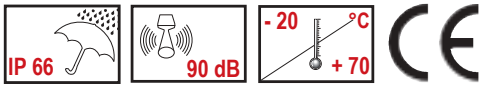
# Weatherproof Audible Telephone Call Signalling Sounder AS2



## Features

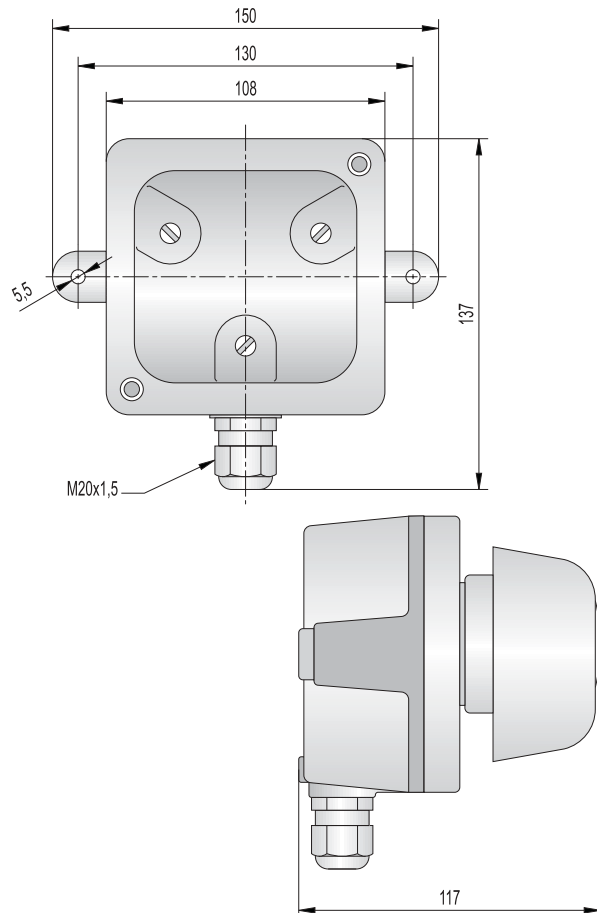
- weatherproof telephone call sounder for universal applications in extreme industrial or other ambient conditions
- resistant against rain, humidity, heat, cold, acids, alkalis, greases etc.
- 4 tone types and tone frequencies selectable via DIP switch
- power supply via telephone call voltage
- works independently also during power failures

Tone setting			
Tone Type	DIP Switch	Tone Sequence	
Single tone		180 ms on	70 ms off
		120 ms on	50 ms off
		60 ms on	25 ms off
		continuous tone	
Two tone		5 Hz	
		10 Hz	
		15 Hz	
		20 Hz	
Three tone		5 Hz	
		10 Hz	
		15 Hz	
		20 Hz	
Wobble tone		1,6 Hz	
		3,6 Hz	
		3,9 Hz	
		7,8 Hz	



## Technical data

Type	AS2
Housing, Colour	aluminium die cast, black upper part polycarbonate
Mounting	wall or ceiling
Weight	0,5 kg
Call voltage	24 V AC - 75 V AC
Branch exchange voltage	0 V DC - 63 V DC
Input impedance	at 25 Hz $Z \geq 8 \text{ k}\Omega$ at 50 Hz $Z \geq 4 \text{ k}\Omega$
Acoustic signalling	loudspeaker
Tone types	single/two/three- and wobble tone selectable via DIP switch
Tone frequencies	5 to 20 Hz in 4 settings selectable via DIP switch
Terminal	1,5 mm <sup>2</sup> single or fine wire
Cable entry	1 x M20x1,5
Insulation class	I



## Order data

Type	Order No.	Description
AS2	410 200 004	Audible telephone call signalling sounder