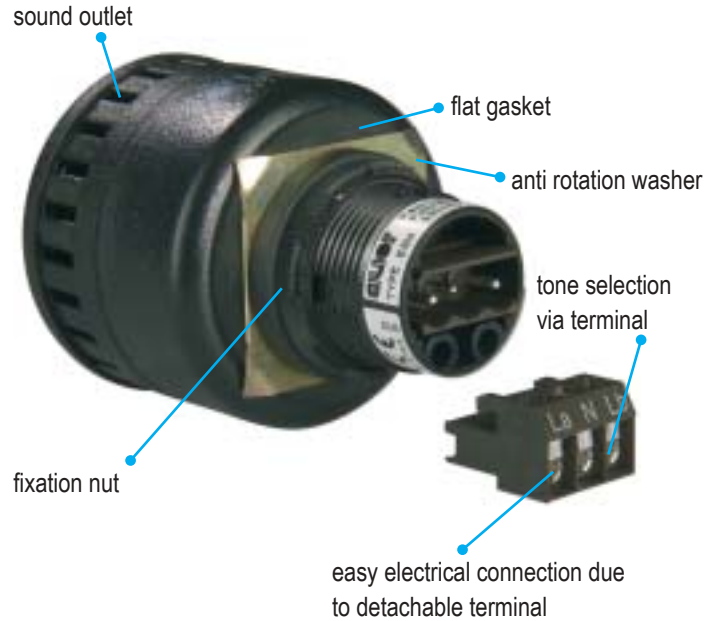


M22 Panel Mount Buzzer ESG-ESM-ESK-ESV



volume infinitely adjustable in panel mount condition (ESG, ESM)

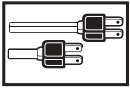
- Features**
- ▶ loud universally useable panel mount buzzers.
 - ▶ sizes Ø 65 – 45 – 30 mm
 - ▶ 3 well distinguishable tones selectable via terminal (ESG)
 - ▶ volume infinitely adjustable also in panel mount condition (ESG-ESM)
 - ▶ wide voltage range
 - ▶ PLC fit (leakage/inrush current)
 - ▶ for mounting in Ø 22 mm or Ø 30,5 mm holes (with adapter)

Panel mount buzzer ESG-ESM-ESK-ESV

Tone selection via terminal

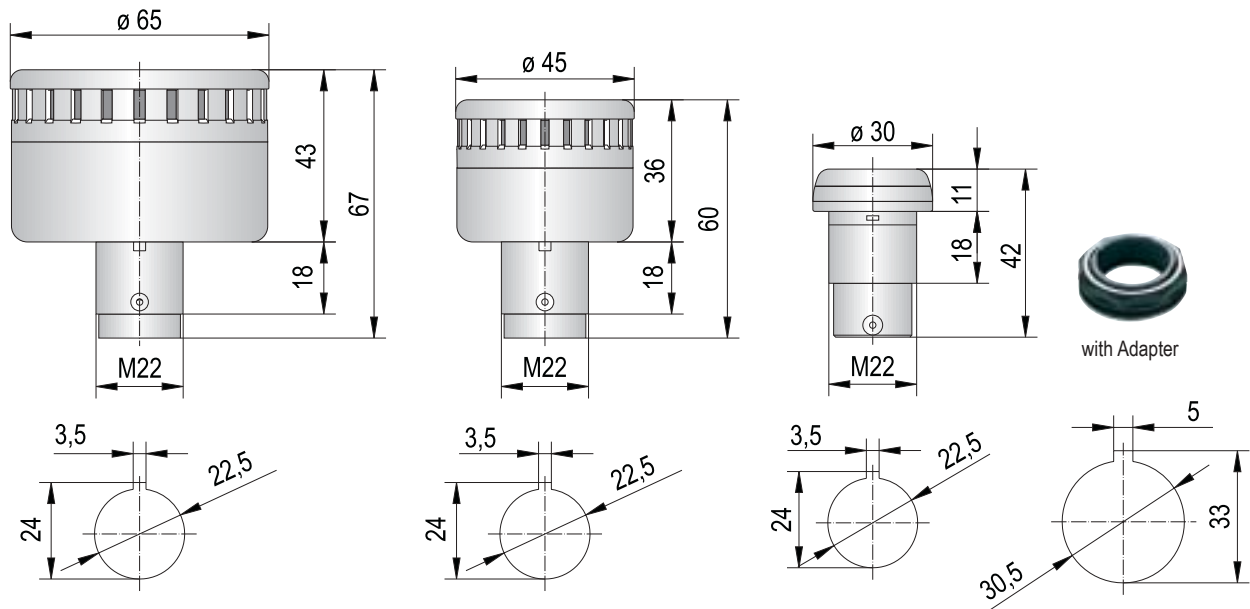
La	N	Lb		
X	X		pulsing tone	ESG – ESM – ESK – ESV
X	X		wobble tone (alternating frequency)	ESG
X	X	X	continuous tone	ESG – ESM – ESK – ESV





Technical data

Type	ESG	ESM	ESK	ESV
Size Ø mm	65	45	30	
Housing, Colour	polycarbonate, grey or black			
Mounting	M22 - for mounting in Ø 22 mm or Ø 30,5 mm holes (with Adapter)			
Tone type	cont.-/pulsing-/wobble tone		continuous-/pulsing tone	
Tone frequency	3.300 Hz		3.500 Hz	
Volume (adjustable)	< 85 - 105 dB	< 85 - 100 dB	~ 65 - 70 dB	~ 80 - 85 dB
Duty cycle factor	100 %			
Protection class	IP 65, UL type 4, 4X, 13			
Terminal	up to 2,5 mm ²			
Temperature range	-20 °C to +60 °C			
Weight	65	35	30	



Order data

Type	Nominal voltage (V)	Order No.		Voltage range	Nominal current (mA)
		Housing grey	Housing black		
ESG	12-24 V AC/DC	814 100 405	814 500 405	8-24 V AC/DC	57
	110/120 V AC	814 100 310	814 500 310	50-140 V AC	42
	230/240 V AC	814 100 313	814 500 313	150-260 V AC	44
ESM	12-24 V AC/DC	813 100 405	813 500 405	8-24 V AC/DC	19
	110/120 V AC	813 100 310	813 500 310	50-140 V AC	42
	230/240 V AC	813 100 313	813 500 313	150-260 V AC	40
ESK	12-24 V AC/DC	812 100 405	812 500 405	10-24 V AC/DC	46
	110/120 V AC	812 100 310	812 500 310	50-140 V AC	17
	230/240 V AC	812 100 313	812 500 313	150-260 V AC	20
ESV	12-24 V AC/DC	812 110 405	812 510 405	10-24 V AC/DC	46
	110/120 V AC	812 110 310	812 510 310	50-140 V AC	17
	230/240 V AC	812 110 313	812 510 313	150-260 V AC	20
Adapter M30,5		812 500 900			