

LED Steady/Flashing Beacon NES
 LED Strobe/Double Strobe Beacon NFS
 LED Multi Colour Beacon NMS



Light selection by terminal

NES LED Steady-/Flashing Beacon

Terminal selection		
x	x	x
x	x	

LED steady light
 LED flashing light

NFS LED Strobe/ Double Strobe Beacon

Terminal selection		
x	x	

LED strobe light

DIP-switch	
0	Double strobe
1	Single strobe

NMS LED Multi Colour Beacon · green · red · yellow

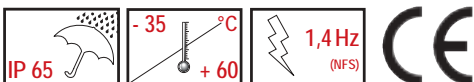
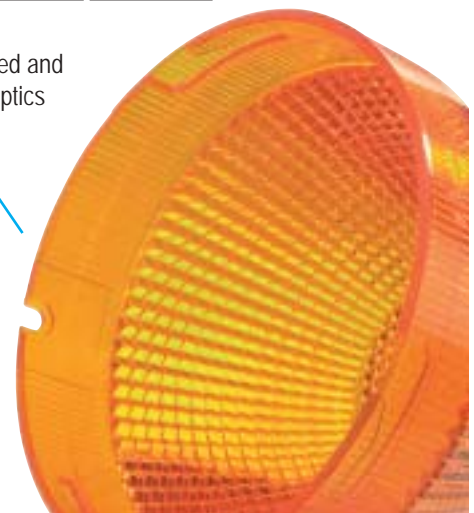


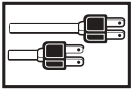
Terminal selection				DIP-switch	
x	x			1	LED flashing light green
x		x		1	LED flashing light red
x			x	1	LED flashing light yellow
x	x			0	LED steady light green
x		x		0	LED steady light red
x			x	0	LED steady light yellow
x	x		x		LED alternate flashing light green - red
x	x	x			LED alternate flashing light green - yellow
x		x	x		LED alternate flashing light red - yellow
x	x	x	x		LED alternate flashing light green - red - yellow

Features

- 90 mm Ø large LED steady- and LED flashing beacon (NES)
 LED strobe/ double strobe beacon (NFS)
 LED multi-colour beacon (NMS)
- wide voltage range due to SMPS technique (NES)
 24 – 48 V AC/DC, 110 – 240 V AC/DC
- very good brightness – highest optical efficiency
- up to date LED-technology
- absolutely shock and vibration proof, maintenance free
- long life time - 50.000 h
- low nominal current
- inrush current limitation, EMC safe, leakage up to 3 mA possible
- modular design – mounting options horizontal, vertical and pole

pecially designed and optimized lens/optics

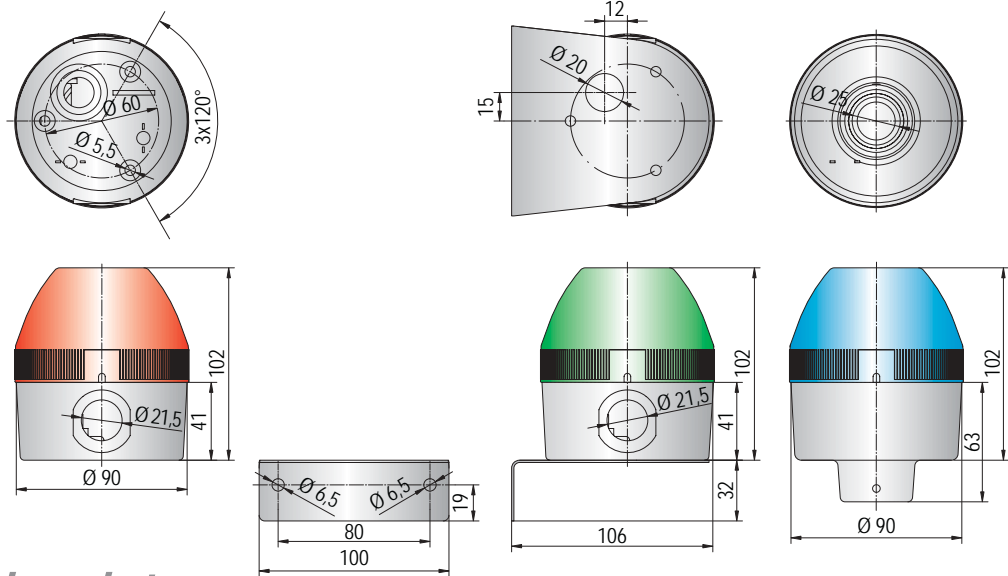




Technical data



Type	NES	NFS	NMS
Housing, Colour	polycarbonate, black		
Lens	polycarbonate		
Lens Colour	amber, red, clear, blue, green, yellow		clear
Cable entry	5 - 7 mm, grommet or cable gland/blind plug on side 6 - 12 mm		
Mounting	horizontal, vertical, pole		
Duty cycle factor	100 %		
Protection class	IP 65, UL type 4, 4X, 13		
Terminals	2,5 mm ²		
Temperature range	-35 °C to +50 °C	-35 °C to +60 °C	
Light source	LED		
Life time (light source)	50 .000 h		
Flashing frequency	~ 2 Hz	~ 1,4 Hz	~ 1 Hz
Weight	250 g (horizontal base)		



Order data

Type	Denomination	Nominal voltage (V)	Order No.		Voltage range (V)	Nominal current (mA)
			Base horizontal	Pole base		
NES	LED Steady-/Flashing beacon	24 - 48 V AC/DC	440 10C 408	440 30C 408	16 - 80 V DC	270
		110 - 240 V AC/DC	440 10C 413	440 30C 413	16 - 60 V AC	180
					80 - 265 V AC/DC	40
NFS	LED Strobe beacon	24 - 48 V AC/DC	442 10C 408	442 30C 408	16 - 60 V DC	295
		110/120 V AC	442 10C 310	442 30C 310	16 - 52 V AC	300
		230/240 V AC	442 10C 313	442 30C 313	+/- 10%	70
NMS	LED Multi-Colour beacon green-red-yellow	24 V AC/DC	441 100 405	441 300 405	+/- 10%	155
		48 V AC/DC	441 100 408	441 300 408	+/- 10%	90
		110/120 V AC	441 100 310	441 300 310	+/- 10%	100
		230/240 V AC	441 100 313	441 300 313	+/- 10%	105
Accessories for models with horizontal base						
	Bracket for wall mounting		817 200 900			

Colour code for lens

Colour code for lens		C	
1	amber	5	blue
2	red	6	green
4	clear	7	yellow