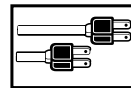




mounting bracket 4VA stainless



II 2 G Ex d e mb IIC T6
Zone 1, 2

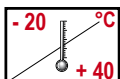


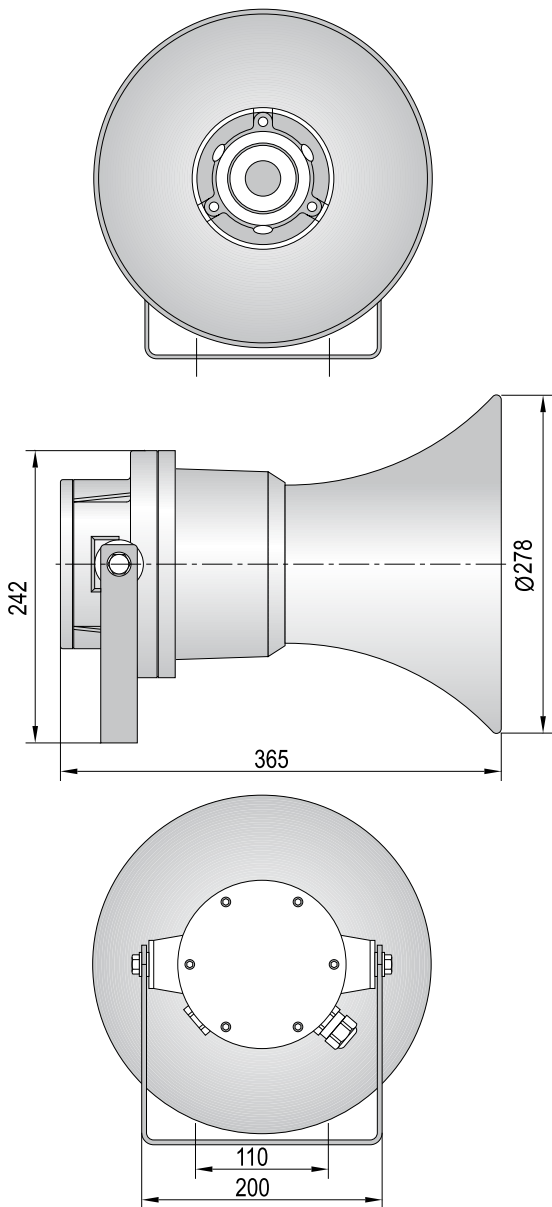
Technical data

Features

- ▶ loud electronic sounder for use in explosion endangered areas of zone 1 and 2
- ▶ 31 different signal tones resp. signal tone groups (4 signal tones per signal tone group)
- ▶ 1 programmable signal tone group
- ▶ 8 volume settings
- ▶ synchronisation of tones
- ▶ modular system with synthetic housing made of glassfibre reinforced polyester
- ▶ flame-proof chamber „d“ – connection chamber in protection class increased safety „e“ – encapsulation „m“
- ▶ lower weight – robust and corrosion proof design
- ▶ Insulation class II – no equipotential bonding required

Type	dHE
Housing, Colour	glassfibre reinforced polyester dark grey, cone black RAL 9005
Terminals	≤ 2,5 mm ² single-, fine- or multiwire
Cable entry	cable gland M20 x 1,5 blind plug M20 x 1,5
Mounting	as required - swiveling mounting bracket, preferably sound outlet front or downwards
Number of parallel switched sounders	≤ 32
Signal tones	31
Insulation class	II, no equipotential bonding required
Weight	5,9 kg
Approval	PTB 03 ATEX 1232





OPERATING OPTIONS

Single sounder with pre-selected signal tone

	S1 = 7 S2 = 0 X1 = LS		Max. volume group 0 selected
	3-4	4-5	Selected stage
	open	open	Stage 0 (Mute)
	<input type="checkbox"/>	open	Stage 1 (Tone 0)
	open	<input type="checkbox"/>	Stage 2 (Tone 1E)
<input type="checkbox"/>	<input type="checkbox"/>	Stage 3 (Tone 9)	

Single sounder with selectable/switchable signal tone

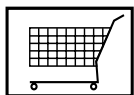
	S1 = 7 S2 = 0 X1 = LS		Max. volume group 0 selected
	k1	k2	Selected stage
	break	break	Stage 0 (Mute)
	make	break	Stage 1 (Tone 0)
	break	make	Stage 2 (Tone 1E)
make	make	Stage 3 (Tone 9)	

Multi sounder with pre-selected signal tone

S1 = 7 / S2 = 0 / X1 = LS		Max. volume / group 0 selected
3-4	4-5	Selected stage
open	open	Stage 0 (Mute)
<input type="checkbox"/>	open	Stage 1 (Tone 0)
open	<input type="checkbox"/>	Stage 2 (Tone 1E)
<input type="checkbox"/>	<input type="checkbox"/>	Stage 3 (Tone 9)

Multi sounder with selectable/switchable signal tone

S1 = 7 / S2 = 0 / X1 = LS		Max. volume/ group 0 selected
k1	k2	Selected stage
break	break	Stage 0 (Mute)
make	break	Stage 1 (Tone 0)
break	make	Stage 2 (Tone 1E)
make	make	Stage 3 (Tone 9)



Order data

Type	Order No.	Denomination	Nominal/ operating voltage	Max. nominal current
dHE1	370 000 000	Ex-proof sounder	85 - 265 V AC, 50-60 Hz	0,100 A (230 V AC)
				0,160 A (120 V AC)
				0,165 A (115 V AC)
dHE2	370 000 001	Ex-proof sounder	21,6-75 V DC	0,520 A (24 V DC)

