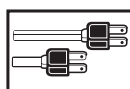




II 2 G Ex e mb II T5
 -20 °C ≤ Ta ≤ +50 °C (AC-Mod.)
 -20 °C ≤ Ta ≤ +60 °C (DC-Mod.)
II 2 G Ex e mb II T4
 -20 °C ≤ Ta ≤ +70 °C
 Zone 1, 2

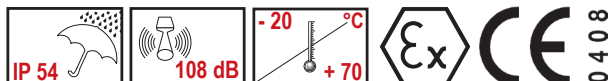
Features

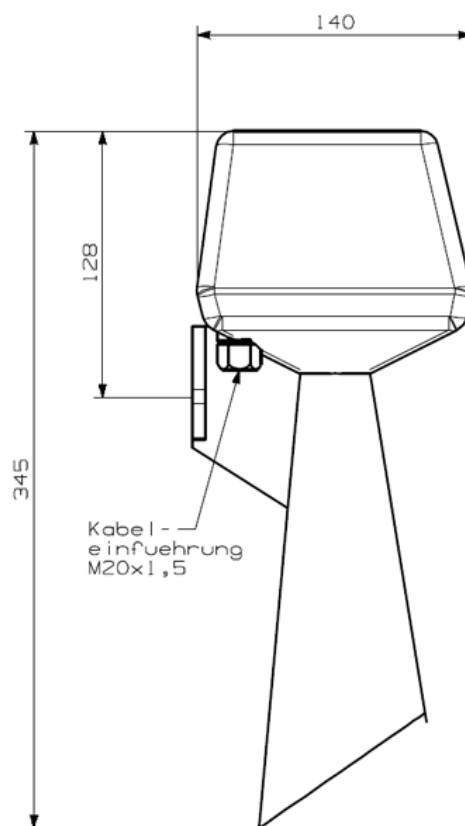
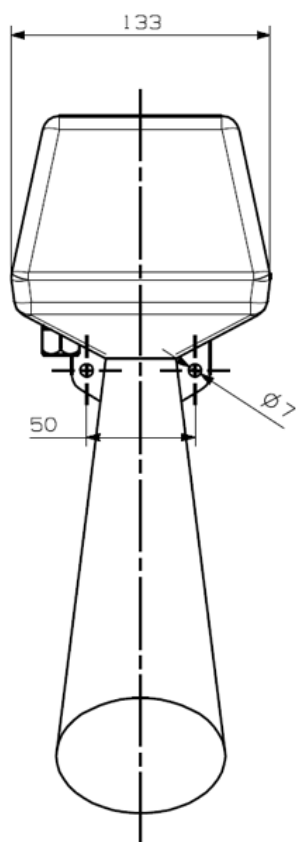
- ▶ loud, well designed signal horn
- ▶ for use in gas explosion endangered areas of zone 1 and 2
- ▶ housing made of impact resistant synthetics
- ▶ available in popular voltages
- ▶ insulation class II
- ▶ DC models with electronic contact breaker
- ▶ encapsulation



Technical data

Type	mHPT
Housing, Colour	polycarbonate, black RAL 9005
Terminal	up to 2,5 mm ²
Cable entry	cable gland M20 x 1,5
Mounting	sound outlet downwards
Operation	duty cycle 75%
Insulation class	II
Temperature range	T4: AC/DC models: -20 °C bis +70 °C T5: DC models: -20 °C bis +60 °C T5: AC models: -20 °C bis +50 °C
Driver system	non polarised electromagnet, striker hits diaphragm between 100 and 120 times/second; DC systems with electronic contact breaker





Order Data

Type	Denomination	Nominal Voltage (V)	Nominal Current (A)	Order No.
	Design temperature range T4			
mHPT	Ex-proof signal horn	24 V DC	0,3	301 000 005
		115 V AC	0,15	301 000 110
		230 V AC	0,07	301 000 113
	Design temperature range T5			
mHPT	Ex-proof signal horn	24 V DC	0,3	301 100 005
		115 V AC	0,15	301 100 110
		230 V AC	0,07	301 100 113