



Note

Prior to installing the Ex-Second Ear Piece Kit, these operating instructions must be read carefully.

Application

The intrinsically safe Ex-Second Ear Piece of the Ex-Second Ear Piece Kit is intended as accessory the telephone ExSafeTel.

It has a receiver inset and a coil cord with cable ends to connect to the ExSafeTel.

The Ex-Second Ear Piece enables another person to listen in a telephone conversation. Moreover it can be used to reduce considerable disturbances due to ambient noise.

The Ex-Second Ear Piece is constructed for the device group II, category 2 and can be used together with the ExSafeTel in zone 1 and 2.

Packing Contents

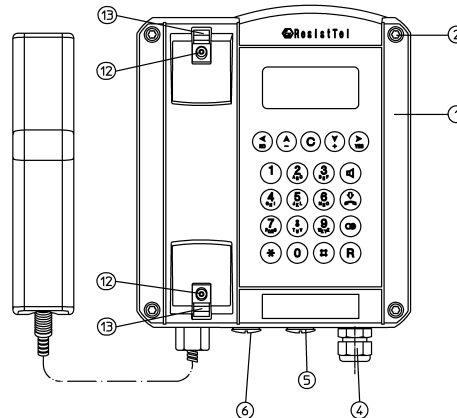
The set consists of:

- Ex-Second Ear Piece with dynamic receiver inset and coil cord with cable ends to connect to the ExSafeTel.
- Cable gland (M20x1.5) IP66, EEx e II, -25°C...+60°C, to lead the coil cord into the ExSafeTel case
- Bracket and screws to hang up the Ex-Second Ear Piece.

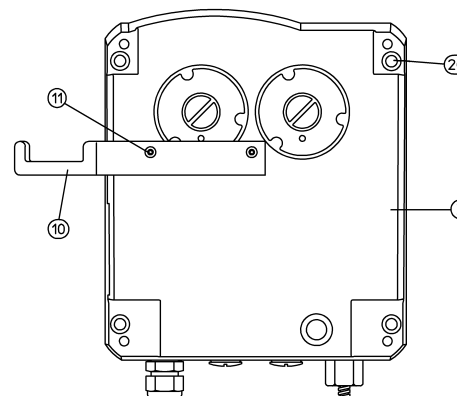
Mounting and Connecting

For the attachment of the bracket there are two built-in threaded bushings in the rear side of the ExSafeTel case. The bracket shows appropriate drill holes through which it can be fastened by means of flat head screws.

If you want to use the bracket it has to be mounted first. Then the wall mounting of the telephone can take place.

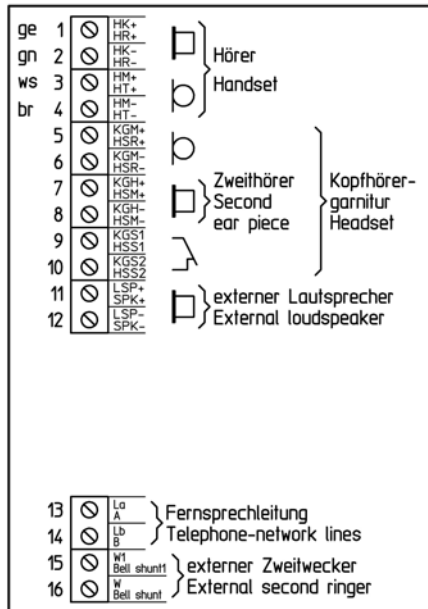


For this purpose loosen the lid screws (2) of the ExSafeTel and remove the upper part of the telephone (1). Screw on the bracket (10) by means of two screws (11) at the back of the bottom part of the telephone.



Put four screws with a head diameter of 10 to 13 mm through the holes (20) and fasten the bottom part of the telephone (3) to the wall or a plate.

To connect the Ex-Second Ear Piece remove one sealing plug ((5) or (6)) to be found in the bottom part of the telephone case and screw in the cable gland (M20x1.5) completely. Lead the cable end of the Ex-Second Ear Piece through the cable gland (IP66) and fasten the cord with the cable gland. Connect the wire ends according to the connection diagram to the terminals 7 and 8 (KGH+,KGH-) in the ExSafeTel .



Comissioning

After connecting to the ExSafeTel the Ex-Second Ear Piece is ready for use.

Operation

The Ex-Second Ear Piece is active when you hook off the handset of the telephone Ex ResistTel. The volume of the Ex-Second Ear Piece is changed with the volume of the handset simultaneously. With the +/- keys of the ExSafeTel you can change the volume for the actual conversation. If you want to change the volume of handset and Ex-Second Ear Piece permanently, use the ExSafeTel menu „Settings / Handset Volume“. The Ex-Second Ear Piece is switched off

when you hook on the handset of the Ex ResistTel.

User Information

Warning and safety notes

The Ex-Second Ear Piece is an accessory to the telephone ExSafeTel. Together with the explosionproof telephone ExSafeTel it is suitable for areas in which explosive atmospheres are possible to occur.

As an equipment of group II, category 2 the interconnection is applicable in zone 1 and zone 2.

Only a trained and skilled technical specialist may connect and mount the Ex-Second Ear Piece, while taking into consideration the given explosion category and following the installation regulations.

The Ex-Second Ear Piece is intended to be used only with the telephone ExSafeTel.

In a damaged condition the Ex-Second Ear Piece may not be operated.

Repairs may be executed only by the manufacturer or by an instructed person and the Ex-Second Ear Piece must be resubmitted to the individual test.

Bevor repair, the Ex-Second Ear Piece has to be disconnected from the ExSafeTel.

When operating the Ex-Second Ear Piece in industrial plants, heed the legal and commercial / industrial regulations, accident-prevention regulations and electrical regulations / provisions.

The Ex-Second Ear Piece must only be operated under the specified ambient conditions

Adverse environmental conditions can lead to the damage of the Ex-Second Ear Piece.

Such adverse environmental conditions may be:

- Too high air moisture (> 75% rel., condensing), combustible gases, vapours, solvents not covered by the explosion category of the device,
- too high ambient temperatures (> +60 °C),
- too low ambient temperatures (< -25 °C).

During operation the indicated temperature range for the Ex-Second Ear Piece must not exceed to higher or lower values. Inadmissible radiation energy and convection have to be prevented in the ambient environment.

Only the cable glands specified by the manufacturer have to be used.

When connecting or disconnecting the Ex-Second Ear Piece, the ExSafeTel has to be switched off.

The manufacturer is not liable for the correct connection of the Ex-Second Ear Piece to the ExSafeTel.

If the above items are neglected, the explosion protection is no longer maintained.

The devices are then a danger to the life of the user and can cause the ignition of an explosive atmosphere.

Keep away from devices with energy technical frequencies. Magnetic fields with energy technical frequencies can cause a slight impairment of the listening quality.

Maintenance

The Ex-Second Ear Piece is maintenance-free. Nevertheless in case of dirtiness it should be cleaned from time to time with a damp cleaning cloth.

Never use sharp objects for cleaning the Ex-Second Ear Piece. The protection category IP54 has to be observed.

Waste Disposal

The Ex-Second Ear Piece may be completely recycled as electronic waste. Upon disassembling, the plastic, metal and electronic components must be disposed of separately.

In every single case the national requirements and regulations for waste disposal must be observed.

CE-Conformity

The interconnection of the Ex-Second Ear Piece and the telephone ExSafeTel complies with the requirements of the R&TTE - directive 1999/5 EC.

The Ex-Second Ear Piece complies with the ATEX directive 94/9/EC.

Characteristics

EC-type-examination certificate

CE 0408 BVS 03 ATEX E 429

Explosion category: II 2G EEx ia IIC T6
II 2D IP54 T 80°C
-25°C ≤ Ta ≤ +60°C

Electrical Data:

Maximum input voltage Ui 17 V
Maximum input current Ii 110 mA
Maximum input power Pi 200 mW
Maximum internal capacity Ci 10 pF
Maximum internal inductance Li 11 mH

Technical Data

Case material Polyurethane-Elastomer
Protection category IP54
Dimension approx. 100 x 68 x 50 mm
Weight approx. 0.2 kg
Connecting cord coil cord, 2 wires
Operating temp. range, Ta -25°C to +60°C
Transport temp. range -25°C to +70°C
Storage temp. range -25°C to +70°C

EG KONFORMITÄTSERKLÄRUNG EC DECLARATION OF CONFORMITY DECLARACION DE CONFORMIDAD CE DECLARATION CE DE CONFORMITE

Wir erklären in alleiniger Verantwortung, dass das Produkt auf das sich diese Erklärung bezieht mit den/ den folgenden Normen oder normativen Dokumenten übereinstimmt:

Herewith we declare bearing sole responsibility that the product referred in this declaration is in conformity with the following standards or normative documents and regulations of the directive:

Nous déclarons de notre seule responsabilité que le produit au quel se rapporte la présente déclaration est conforme aux normes ou aux documents normatifs suivants:

Bezeichnung des Erzeugnisses Name of product Titre Produit	Ex Zweithörer Ex Second Ear Piece Ex Deuxième Ecouteur
Geräte- oder Typenbezeichnung Equipment type or mark of equipment Identification du produit	EP1
Bestimmung der Richtlinie Provisions of the directive Désignation de la directive	Nr. und Ausgabedatum der Norm(en) No. and date of issue of the standard(s) No. Et date d'émission de la/des norme(s)
94/9/EG: Geräte und Schutzsysteme zur bestimmungsgemäßen Verwendung in explosionsgefährdeten Bereichen 94/9/EC: Equipment and protective system intended for use in potentially explosive atmospheres 94/9/CE: Appareils et système de protection destinés à être utilisés en atmosphères explosibles	EN 50014:1997+A1+A2 EN 50020:2002 IEC 61241-0:2002 prIEC 61241-11 (31H/160/NP)
EG Baumusterprüfbescheinigung EC-type-examination certificate Attestation examen CE	BVS 03 ATEX E 429
Benannte Stelle für die Bescheinigung Notified body of the certificate Organisme notifié de l'attestation	Fachstelle für Sicherheit elektrischer Betriebsmittel BVS-DMT Gas & Fire Division; DMT GmbH Carl-Beyling-Haus Dienstadtstraße 9, D-44809 Bochum
Benannte Stelle für die Überwachung Notified body of the inspection organisme notifié de contrôle	TUV -österreich TUV A Krugergasse 16 A-1015 Wien
Kennnummer Inspection number Numéro d'identification	0408
Hersteller / Anschrift Manufacturer / Factory address Fabricant / Adresse	J.Auer GmbH Siebertg. 24 A-1120 Wien

Geschäftsführer:
Managing director / Direction Générale

Dipl. Ing. Michael Auer
.....
(Name, Vorname / name, prename)

Wien
(Ort / place / lieu)

11.12.2003
(Datum / date)





J. Auer Fabrik Elektrischer Maschinen Gesellschaft m. b. H.
Siebertgasse 24 : A-1120Wien
Tel. (00431) 813 82 20 : Fax. (00431) 815 99 51
<http://www.auer-signal.com> : e-mail: office@auer-signal.com